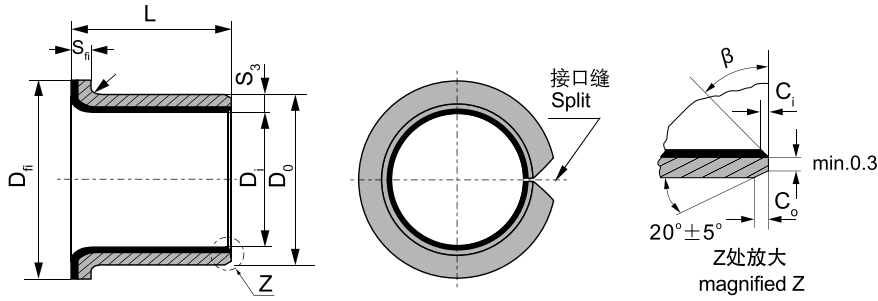




## SF-FR 翻边轴套规格及公差 SF-FR Flange Bushing Specification & Tolerance



$S_3$	1.0	1.5	2.0	2.5
r	$r^{0.5}$	$1 \pm 0.5$	$1.5 \pm 0.5$	$2 \pm 0.5$

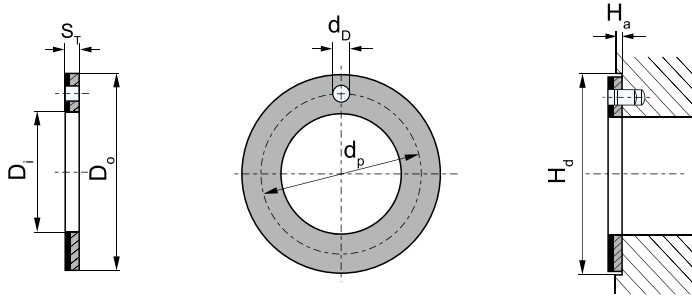
单位Unit: mm

轴径(f7) Shaft $D_s$	座孔(H7) Housing $D_i$	(OD) 外径公差 Tolerance $D_o$	(ID)压装后 内孔公差 After fixed $D_{i,a}$	配合间隙 Clearance $C_o$	Designation 型号规格	Wall thickness 壁厚 $S_3$	尺寸 Dimension					
							$D_i$	$D_o$	$D_i \pm 0.5$	$L \pm 0.25$	$S_{fi} - 0.2$	
6	-0.013 -0.028	8	+0.015	8	+0.055 +0.025	6.055 5.990	0.077 0.000	JLB-1F06040	6	8	12	4
												7
8	-0.013 -0.028	10	+0.015	10	+0.055 +0.025	8.055 7.990	0.083 0.003	JLB-1F08055	8	10	15	5.5
												7.5
10	-0.016 -0.034	12	+0.018	12	+0.055 +0.025	10.058 9.990	0.086 0.003	JLB-1F10070	10	12	18	7
												9
12	-0.016 -0.034	14	+0.018	14	+0.065 +0.030	12.058 11.990	0.092 0.006	JLB-1F10090	10	12	18	12
												12
14	-0.016 -0.034	16	+0.018	16	+0.065 +0.030	14.058 13.990	0.092 0.006	JLB-1F12070	12	14	20	7
												9
15	-0.016 -0.034	17	+0.018	17	+0.065 +0.030	15.058 14.990	0.092 0.006	JLB-1F14120	12	14	22	12
												17
16	-0.016 -0.034	18	+0.018	18	+0.065 +0.030	16.058 15.990	0.095 0.006	JLB-1F15090	14	16	22	9
												12
18	-0.016 -0.034	20	+0.021	20	+0.075 +0.035	18.061 17.990	0.095 0.006	JLB-1F15120	15	17	23	12
												17
20	-0.020 -0.041	23	+0.021	23	+0.075 +0.035	20.071 19.990	0.112 0.010	JLB-1F16120	16	18	24	12
												17
22	-0.020 -0.041	25	+0.021	25	+0.075 +0.035	22.071 21.990	0.112 0.010	JLB-1F18120	18	20	26	12
												17
25	-0.020 -0.041	28	+0.021	28	+0.075 +0.035	25.071 24.990	0.126 0.010	JLB-1F18200	18	20	26	20
												20
30	-0.025 -0.050	34	+0.025	34	+0.075 +0.035	30.085 29.990	0.135 0.015	JLB-1F20115	20	23	30	11.5
												16.5
35	-0.025 -0.050	39	+0.025	39	+0.085 +0.045	35.085 34.990	0.135 0.015	JLB-1F20165	20	23	30	21.5
												15
40	-0.025 -0.050	44	+0.025	44	+0.085 +0.045	40.085 39.990	0.135 0.015	JLB-1F22150	22	25	32	20
												11.5
40	-0.025 -0.050	44	+0.025	44	+0.085 +0.045	40.085 39.990	0.135 0.015	JLB-1F25115	25	28	35	16.5
												21.5
40	-0.025 -0.050	44	+0.025	44	+0.085 +0.045	40.085 39.990	0.135 0.015	JLB-1F25215	25	28	35	21.5
												21.5
30	-0.025 -0.050	34	+0.025	34	+0.075 +0.035	30.085 29.990	0.126 0.010	JLB-1F30160	30	34	42	16
												26
35	-0.025 -0.050	39	+0.025	39	+0.085 +0.045	35.085 34.990	0.135 0.015	JLB-1F30260	30	34	42	26
												26
40	-0.025 -0.050	44	+0.025	44	+0.085 +0.045	40.085 39.990	0.135 0.015	JLB-1F35160	35	39	47	16
												26
40	-0.025 -0.050	44	+0.025	44	+0.085 +0.045	40.085 39.990	0.135 0.015	JLB-1F35260	35	39	47	26
												26
40	-0.025 -0.050	44	+0.025	44	+0.085 +0.045	40.085 39.990	0.135 0.015	JLB-1F40260	40	44	53	26
												40



### SF-1WC 垫片规格及公差

### SF-1WC Thrust Washer Specification & Tolerance

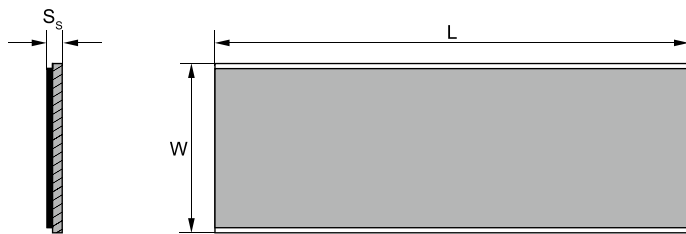


单位Unit: mm

轴径 Shaft $D_s$	型号规格 Standard No.	垫片尺寸 Washer size				安装尺寸 Assemble size		
		$D_i+0.25$	$D_o-0.25$	$S_T-0.05$	$d_p \pm 0.125$	$d_{D+0.1}^{+0.4}$	$H_a \pm 0.2$	$H_u+0.12$
8	W10	10	20		15			20
10	W12	12	24		18	1.5		24
12	W14	14	26		20			26
14	W16	16	30		23	2		30
16	W18	18	32		25			32
18	W20	20	36		28			36
20	W22	22	38	1.5	30		1	38
22	W24	24	42		33	3		42
24	W26	26	44		35			44
26	W28	28	48		38			48
30	W32	32	54		43			54
36	W38	38	62		50			62
40	W42	42	66		54	4		66
46	W48	48	74		61			74
50	W52	52	78	2	65		1.5	78
60	W62	62	90		76			90

### SF-1SP 板材规格及公差

### SF-1SP Strip Specification & Tolerance



单位Unit: mm

型号规格 Standard No.	长度 $L \pm 1$	宽度 $W \pm 1$	厚壁 Wall thickness $S_s-0.05$
SP	500	150	1.0
SP	500	150	1.5
SP	500	150	2.0
SP	500	150	2.5