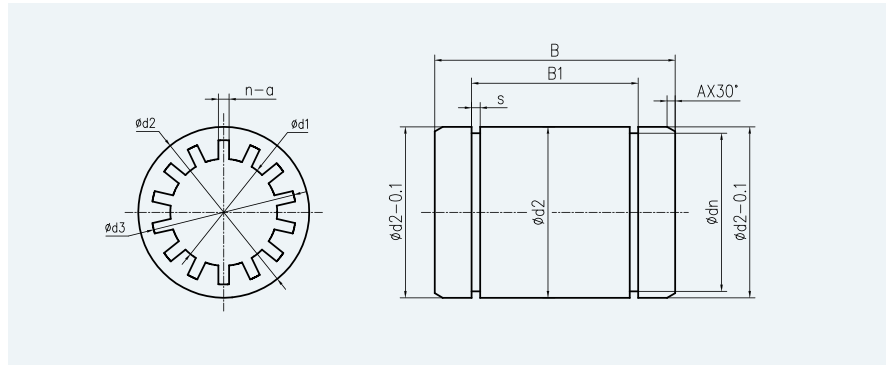


LIN 系列直线轴承  
LIN Series Linear Bearings

## LIN-00 系列滑动膜 LIN-00 Series of Sliding Membranes



座孔 Housing:H7 轴 Shaft:h6-h9

订购编码 Order P/N	d1 mm <sup>2</sup>	公差 Tolerance mm <sup>2</sup>	d2 mm <sup>2</sup>	B mm <sup>2</sup>	B1 mm <sup>2</sup>	s mm <sup>2</sup>	dn mm <sup>2</sup>
LIN-00-06	10	+0.030/-0.070	12	29	3.0	1.3	11.5
LIN-00-12	12	+0.030/-0.070	14	31	3.0	1.6	15.2
LIN-00-16	16	+0.030/-0.070	18	35	3.5	2.2	17.5
LIN-00-20	20	+0.030/-0.070	23	44	5.0	5.0	20.5
LIN-00-25	25	+0.030/-0.070	28	57	5.0	8.0	24.2
LIN-00-30	30	+0.040/-0.085	34	67	5.0	15.1	29.6
LIN-00-40	40	+0.040/-0.085	44	79	6.0	25.6	36.5
LIN-00-50	50	+0.040/-0.085	55	99	7.0	50.6	43.5

## 装配尺寸 Installation size

订购编码 Order P/N	轴径 Shaft mm <sup>2</sup>	座孔 Housing mm <sup>2</sup>	公差 Tolerance mm <sup>2</sup>	极限动载荷 Dynamic Load mm <sup>2</sup>	t mm <sup>2</sup>	重量 Weight g
LIN-00-10	6	12	0/+0.018	200	1400	2
LIN-00-12	8	16	0/+0.018	250	1750	4
LIN-00-16	10	19	0/+0.018	363	2538	7
LIN-00-20	12	22	0/+0.018	480	3360	9
LIN-00-25	16	26	0/+0.018	720	5040	13
LIN-00-30	20	32	0/+0.018	1125	7875	24
LIN-00-40	25	40	0/+0.018	1813	12688	47
LIN-00-50	30	47	0/+0.018	2550	17850	72

订购编码 Order P/N: LIN-00 - 10

内径 Inner diameter

标准开口系列 01K  
Standard split type 01K